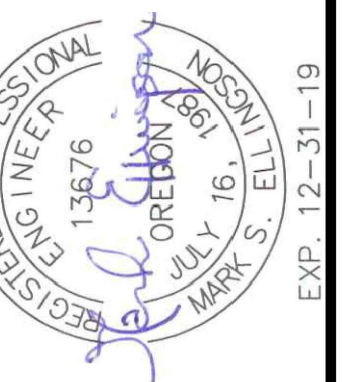




Pacific Northwest Engineering, Inc.
 4242 Silver Falls Dr. N., Silverton, OR 97381
 Ph. (503) 873-3184 Fax. (503) 873-3907
 MSE@PACNWENG.COM



Cam inc. (Ivan Cam)
 1875 Carriage Way
 West Linn, OR

DATE: 09-29-2018
 SCALE: 1"=10'
 DRAWN: MSE
 CHECKED: MSE
 JOB: 18-547
 SHEET

CARRIAGE WAY

TAX LOT 1200
 2 1 E 23BD
 LOT 1

15' X 50' UTILITY AND ACCESS EASEMENT
 PER THE PLAT OF "SUNBURST"

6' TALL WOVEN
 WIRE FENCE

BUILDING
 OVERHANG

4' TALL WOVEN WIRE FENCE

PROPOSED
 GARAGE

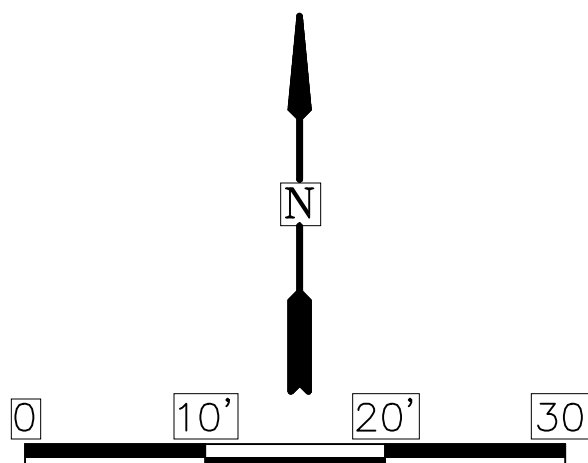
PROPOSED
 MAIN FLOOR

TAX LOT 2101
 2 1 E 23CA
 PARCEL 1
 PLAT NO. 2015-034

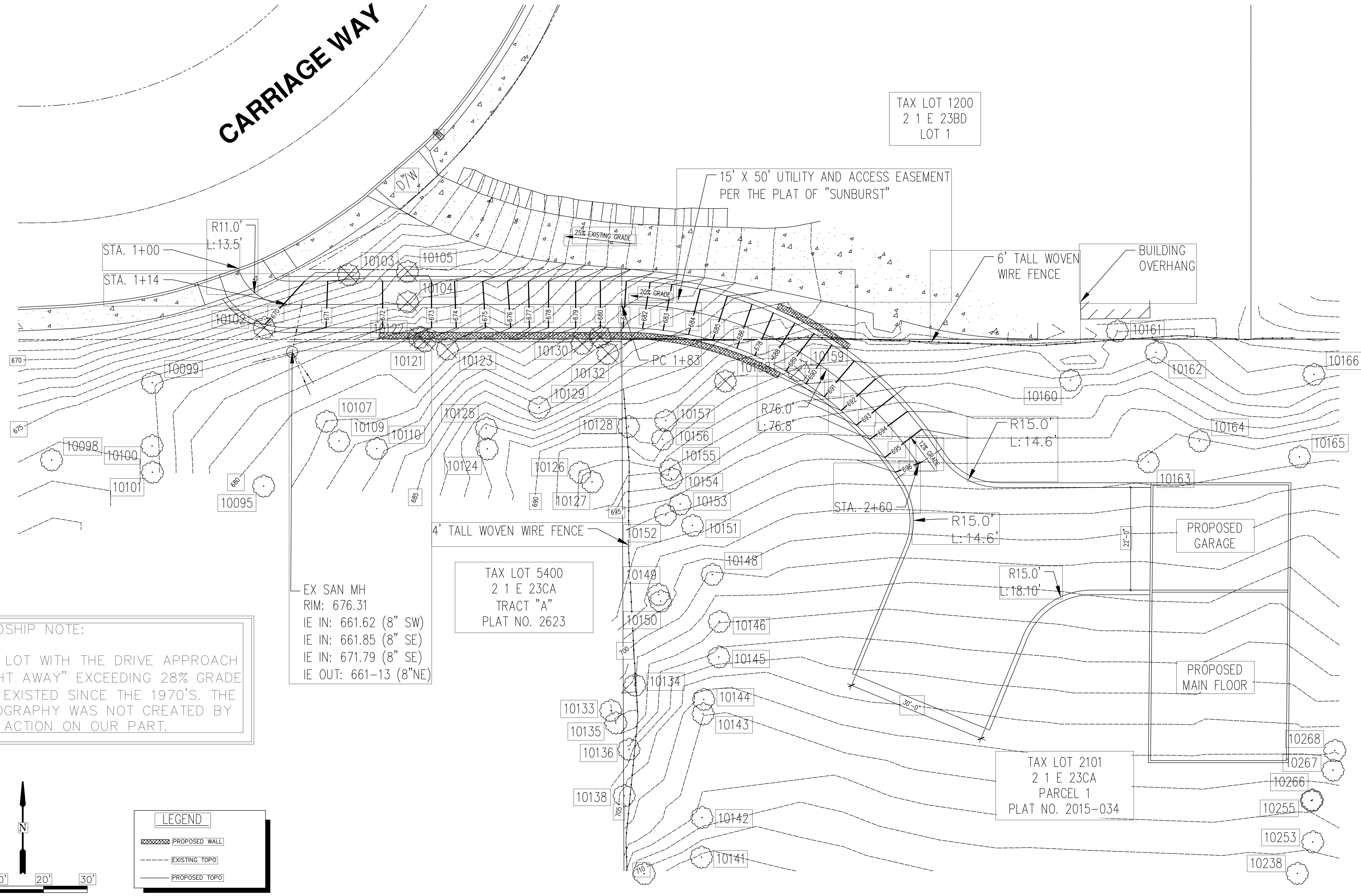
TAX LOT 5400
 2 1 E 23CA
 TRACT "A"
 PLAT NO. 2623

EX SAN MH
 RIM: 676.31
 IE IN: 661.62 (8" SW)
 IE IN: 661.85 (8" SE)
 IE IN: 671.79 (8" SE)
 IE OUT: 661-13 (8"NE)

HARDSHIP NOTE:
 THIS LOT WITH THE DRIVE APPROACH
 "RIGHT AWAY" EXCEEDING 28% GRADE
 HAS EXISTED SINCE THE 1970'S. THE
 TOPOGRAPHY WAS NOT CREATED BY
 ANY ACTION ON OUR PART.



LEGEND	
	PROPOSED WALL
	EXISTING TOPO
	PROPOSED TOPO



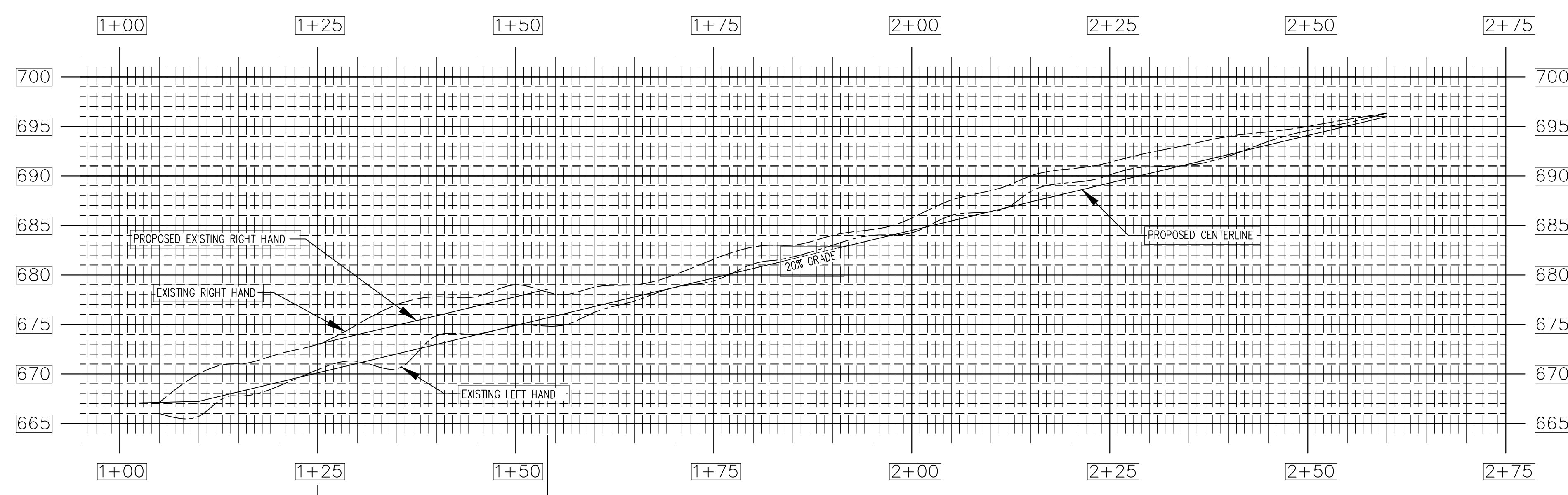


Pacific Northwest Engineering, Inc.
 4242 Silver Falls Dr. N., Silverton, OR 97381
 Ph. (503) 873-3184 Fax. (503) 873-3907
 MSE@PACNWENG.COM

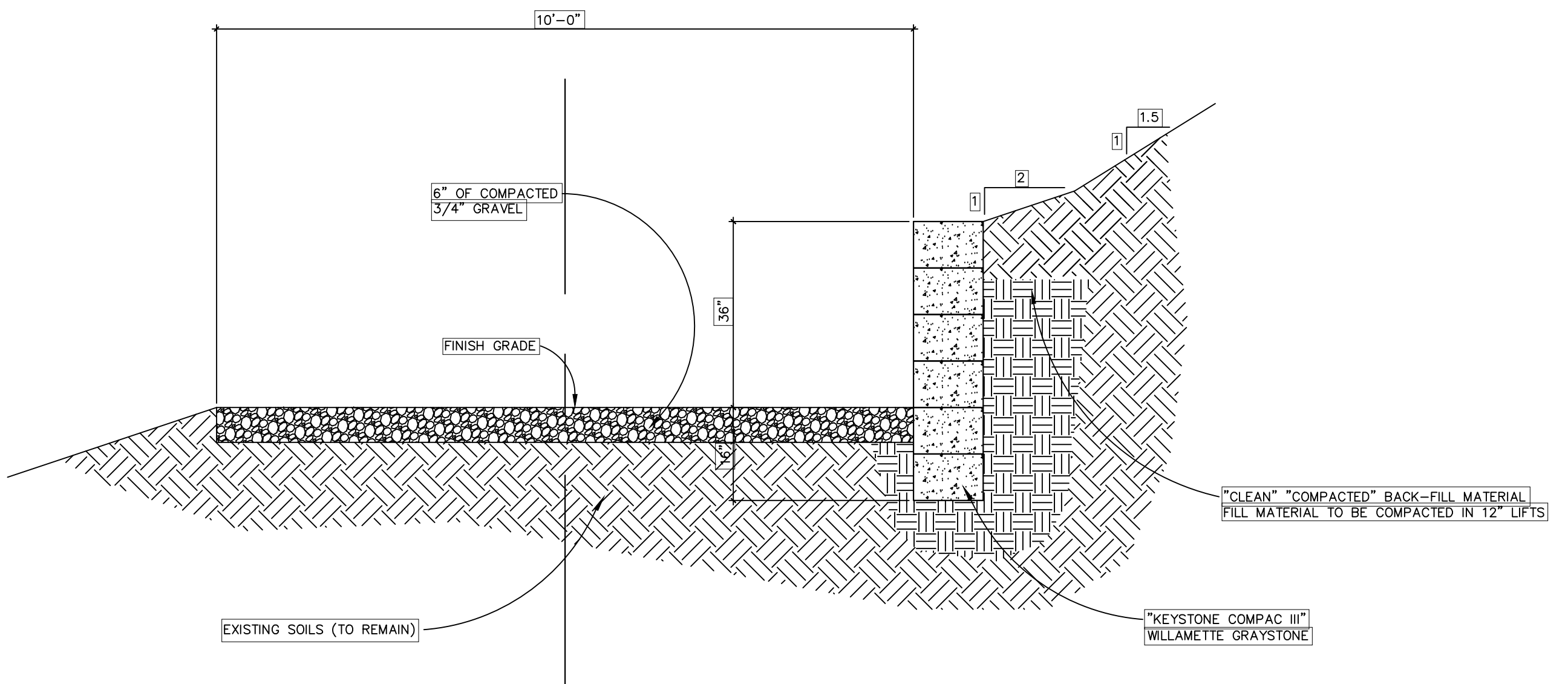


Cam inc. (Ivan Cam)
 1875 Carriage Way
 West Linn, OR

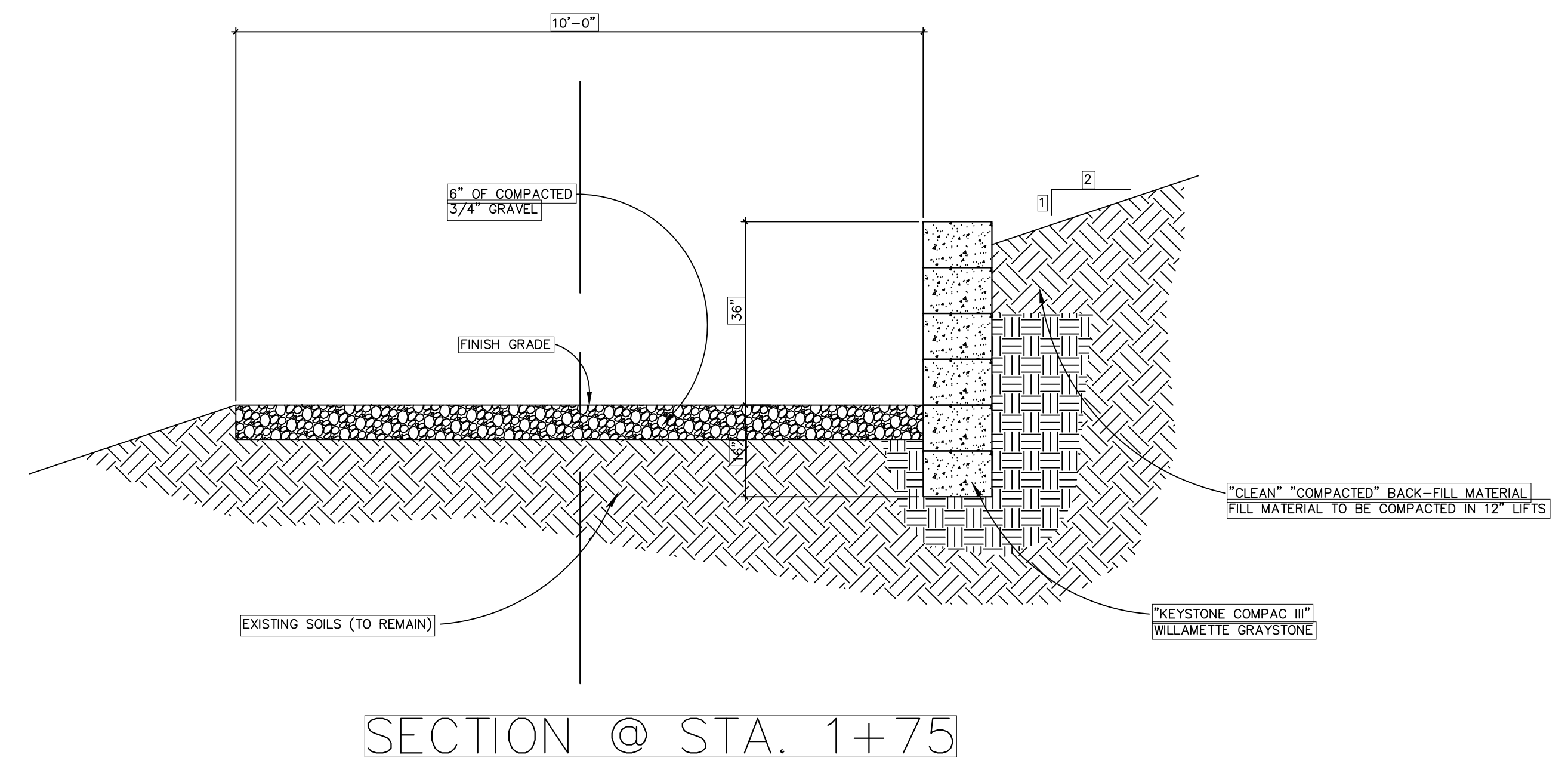
DATE: 09-29-2018
 SCALE: 1"=10'
 DRAWN: MSE
 CHECKED: MSE
 JOB: 18-547
 SHEET



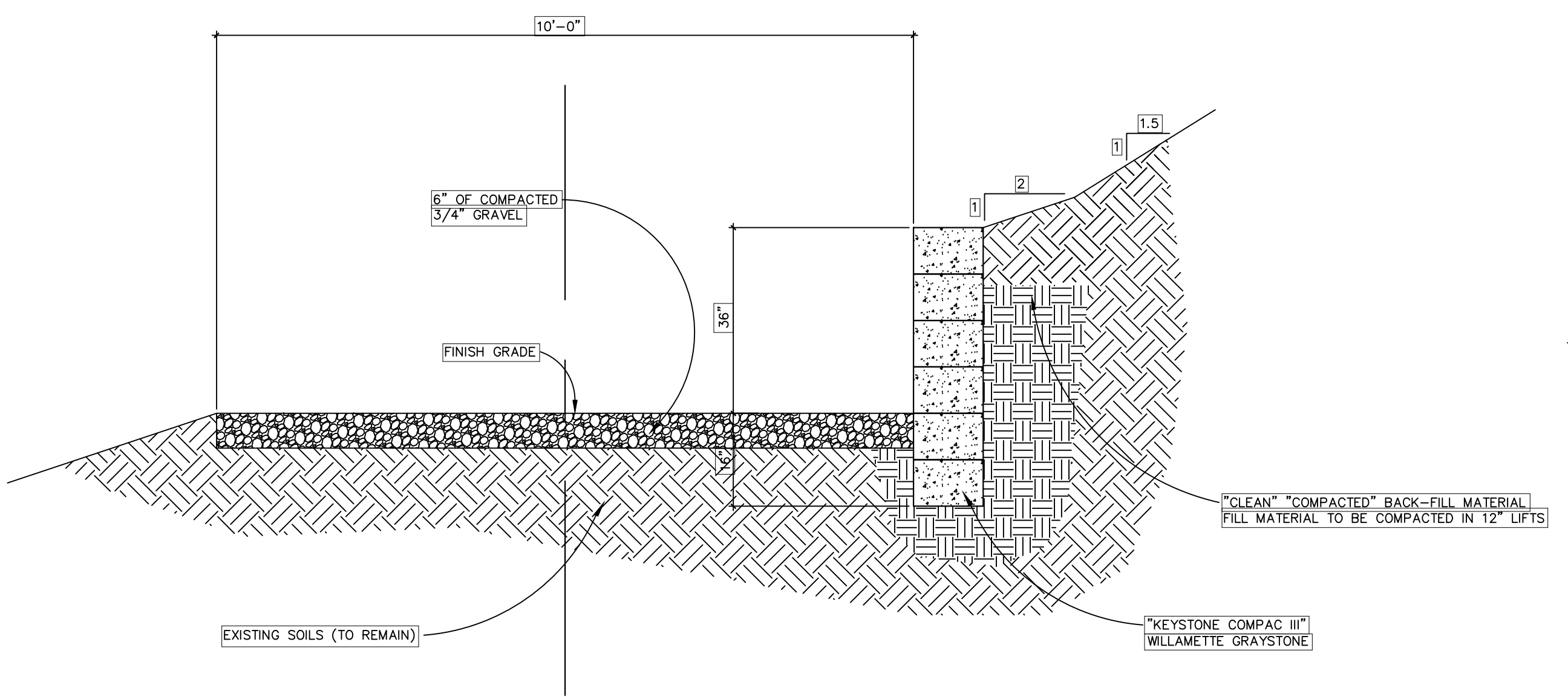
DRIVEWAY CENTERLINE PROFILE



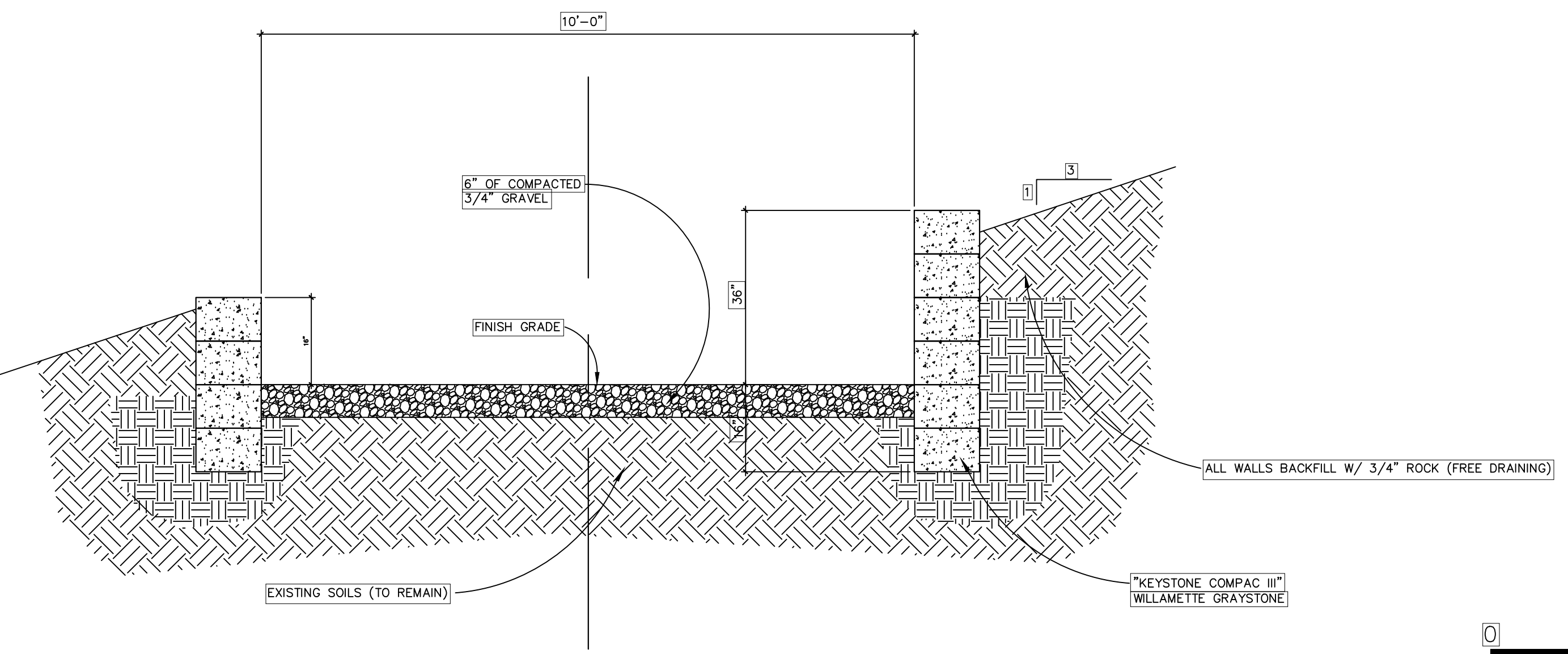
SECTION @ STA. 1+31



SECTION @ STA. 1+75



SECTION @ STA. 1+54



SECTION @ STA. 2+17

