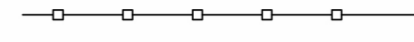

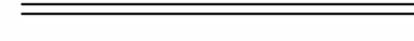
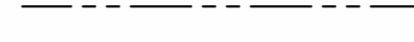

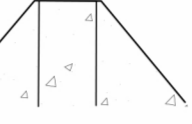

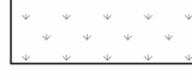
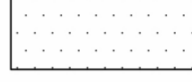





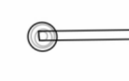
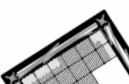


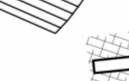
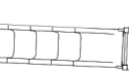




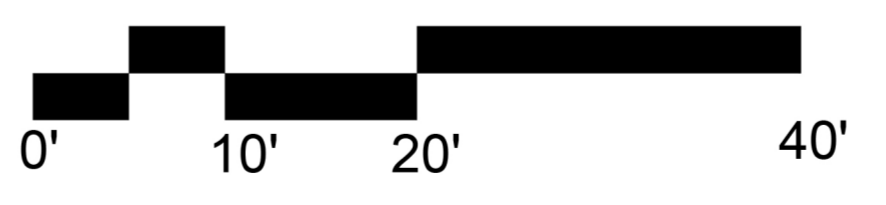




HORTON ROAD'

MATERIALS LEGEND

-  TREE PROTECTION FENCING
-  PROPOSED CONTOURS
-  PLAYGROUND CONCRETE CURB
-  EQUIPMENT USE ZONE - MIN 6' OF IMPACT SURFACING AND EASEMENT SURFACING OR AS SHOWN ON PLANS
-  CONCRETE
-  ADA RAMP (TYP 2)
-  ENGINEERED WOOD FIBER
12" DEEP WITH DRAINAGE
-  PLAYGROUND TURF SURFACING
-  LAWN
-  T TRANSFER STATION
-  BOULDER SCRAMBLE
-  BENCH (TYP 2)
-  A-FRAME HOUSE
-  LOG ROUND STEPPER
-  WOOD CROSSING
-  TOWER CLIMBER
-  WOOD PLATFORM WITH ROPE CROSSING
-  PLAY DECK
-  LOG STEPS WITH WOOD MULCH
AS SPECIFIED
-  SLIDE
AS SPECIFIED
-  NEST SWING
AS SPECIFIED
-  BASKETBALL HOOP
AS SPECIFIED
-  PICNIC TABLE
AS SPECIFIED
-  BOULDERS, TYP.
18" DIA. BOULDERS
24" DIA. BOULDERS



Sahallie Illahee Park Playground Improvement Plan

2/15/2019