



ISOMETRIC VIEW:
SCALE: 1/16"=1"

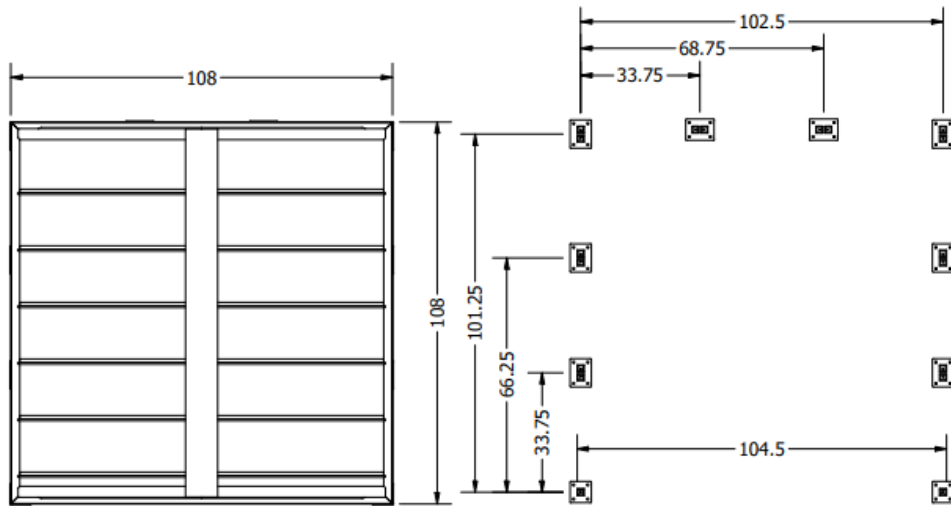
SEE SALES ORDER FOR OPTIONS AND FINISHES

CONCEPTUAL DRAWING FOR CUSTOMER
SIGN OFF ONLY, NOT INTENDED FOR PRODUCTION

Please provide comment on conceptual drawing, mark appropriate box below,
provide authorized signature and fax to 503-373-1086

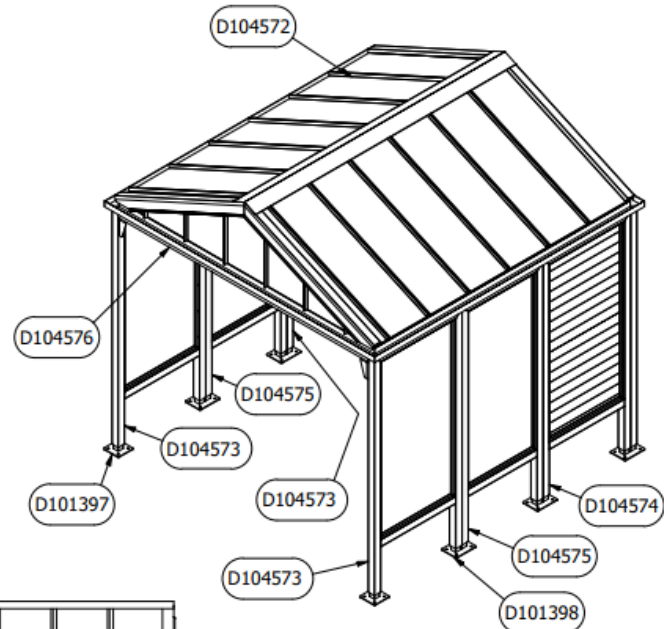
No Exceptions Noted Revise & Re-Submit

X _____
Signature Date

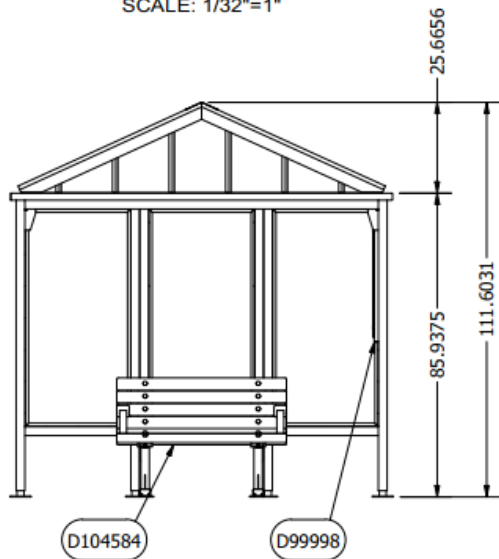


TOP VIEW:
SCALE: 1/32"=1"

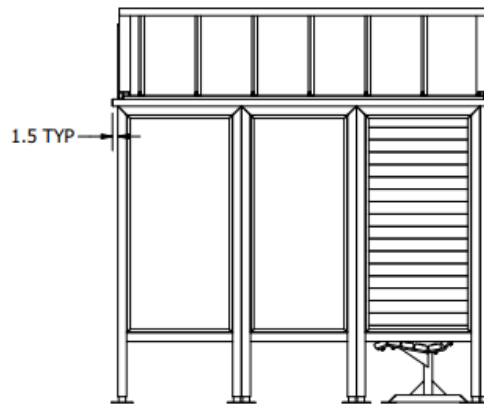
TOP VIEW:
FEET LAYOUT
SCALE: 1/32"=1"



ISOMETRIC VIEW:
SCALE: 1/32"=1"



FRONT VIEW:
SCALE: 1/32"=1"



SIDE VIEW:
SCALE: 1/32"=1"