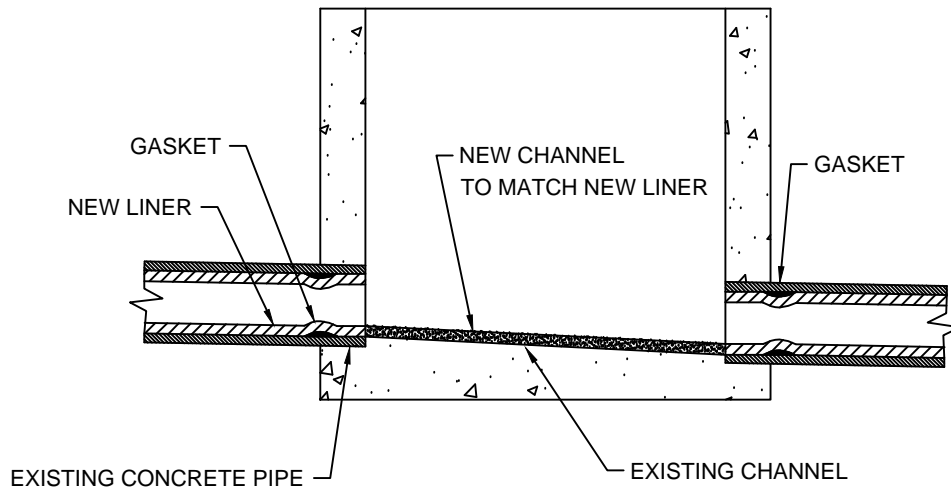
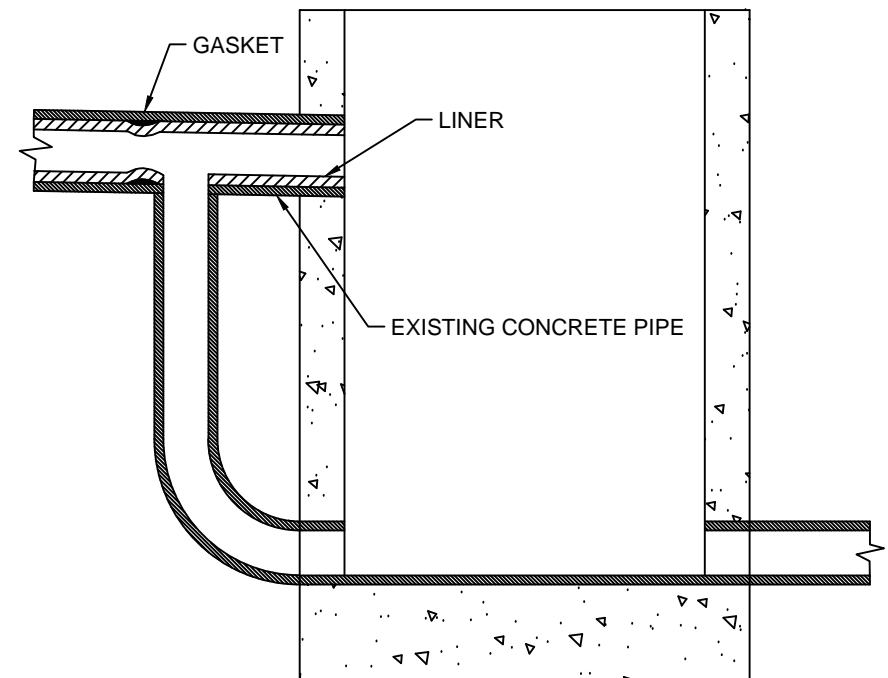


STANDARD MH GASKET AND CHANNEL DETAIL



OUTSIDE DROP MH GASKET DETAIL



PROJECT # 1214
DATE: 08 / 31 / 2012
BY: B.P.

MAPLETON SEWER REHABILITATION PROJECT PHASE 3

GASKET AND CHANNEL DETAILS

CITY OF WEST LINN
PUBLIC WORKS
ENGINEERING
22500 SALAMO ROAD,
WEST LIN, OR, 97068